

EQUIP. TYPE: R390A/KUR EXT. NO.

Coll. 540-7523-002

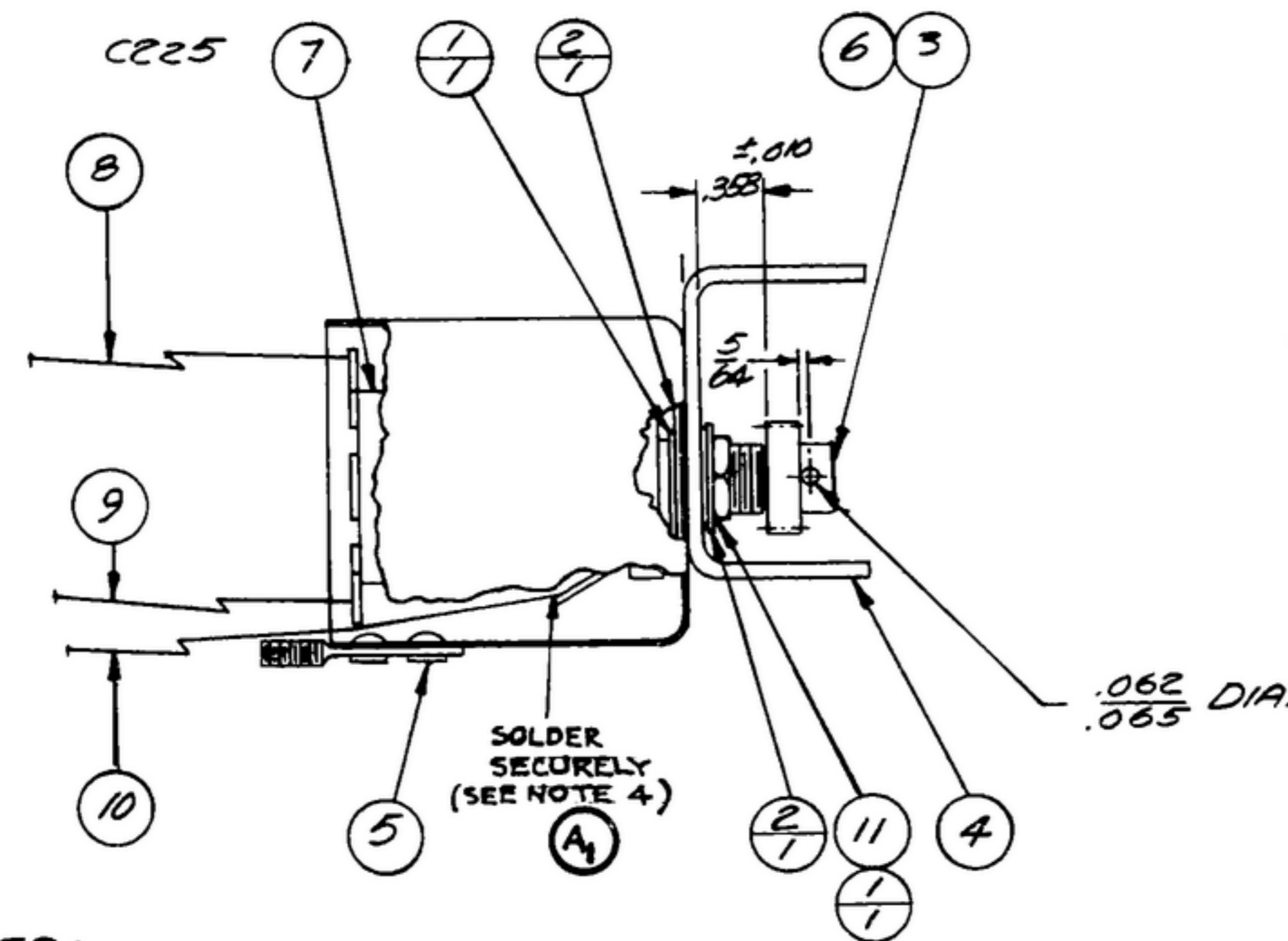
NOTICE: WHEN GOVERNMENT DRAWINGS, SPECIFICATIONS, OR OTHER DATA ARE USED FOR ANY PURPOSE OTHER THAN IN CONNECTION WITH A DEFINITELY RELATED GOVERNMENT PROCUREMENT OPERATION, THE UNITED STATES GOVERNMENT THEREBY INCURS NO RESPONSIBILITY FOR ANY INADEQUACIES, OMISSIONS, OR FACTS THAT THE GOVERNMENT MAY HAVE FORMULATED, FURNISHED, OR IN ANY WAY SUPPLIED THE SAID DRAWINGS, SPECIFICATIONS, OR OTHER DATA IN RELATION TO THE INADEQUACIES OR OMISSIONS AS IN ANY MANNER LICENSING THE HOLDER OR ANY OTHER PERSON OR CORPORATION, OR CONVEYING ANY RIGHTS OR PRIVILEGES TO MANUFACTURE, USE, OR SELL ANY PATENTED INVENTION THAT MAY IN ANY WAY BE RELATED THEREBY.

THIS DOCUMENT HAS BEEN PURCHASED BY THE GOVERNMENT AND MAY BE REPRODUCED AND USED IN CONNECTION WITH ANY GOVERNMENT PROCUREMENT OR MAINTENANCE OPERATION.

* FOR INFORMATION ONLY. CONTRACTOR MAY AT HIS OPTION DEVIATE FROM THESE PROCESS DETAILS.

* SWE APPROVAL
SYM PR-10042-2

REVISIONS			
SYM	DESCRIPTION	DATE	APPROVAL
A ₁	ADDED TO NOTE 4- THE WIRES TO BE SOLDERED & CALL-OUT TO NOTE 4.	10 OCT 59	42428-PC-59 -A1-51
A ₂	ADDED APPL SM-D-343600		
A ₃	ITEM 6 WAS SM-D-283162-3		
A ₄	ADDED ITEM 12		
A ₅	ADDED S.W.S. PART NO'S & COLUMN		REV.D. PME



- NOTES:**
1. 3/8-32 UNF-2B x 1/2 HEX, 3/32 THK, DOUBLE CHAMFER, AS SUPPLIED BY CENTRAL SCREW CO CHICAGO, ILL., OR EQUAL.
 2. SECURE GEAR (3) TO SHAFT USING PIN (6) AS SHOWN.
 3. ALL WIRE STRIPPED & TULLED 1/2 INCH.
 4. SOLDER WIRES (8) (9) (10) PER SPEC MIL-S-6872 USING ROSIN CORE SOLDER PER SPEC QQ-S-571 COMP SN-60
 5. IN ALL SPLIT BALLOONS TOP FIGURE IS MATERIAL LIST ITEM INDICATOR AND BOTTOM FIGURE IS QUANTITY.

QTY	PART NO.	DESCRIPTION	MATL	MATL SPEC	QTY
1	572047	12 A3 REG'D	SOLDER SOFT		4
1	334 4120 00	11 1 SM-C-248962-1	LUT	567 CRES	1
1	422 0260 00	10 1 KF22(TX)-91	PINK (0.6 FT)		
1	422 0258 00	9 1 KF22(TX)-8	GRAY (0.6 FT)		
1	422 0257 00	8 1 KF22(TX)-6	WIRE BLU (0.4 FT)	MIL-W-12349	
1	559 0418 002	7 1 SM-B-283234	CAPACITOR-VARIABLE		
1	559 0248 002	6 1 MS171434	BOLL PIN		
1	558 0212 002	5 1 SM-B-248963	SHIELD ASSY-TRIMMER		
1	558 0235 002	4 1 SM-B-248966	BEZEL-TRIMMER		
1	558 0232 002	3 1 SM-B-248963	CASE-HELICAL		2
1	558 0085 002	2 2 SM-B-179050	WASHER		
1	558 0057 002	1 2 SM-B-179051	WASHER		

LIST OF MATERIAL COLLINS PART NO. 558 0311 003

<p>DRAWN: LIPPICH</p> <p>CHECKED: BS</p> <p>APPROVED: [Signature]</p> <p>UNLESS OTHERWISE SPECIFIED: DECIMAL DIMENSIONS INCLUDING HOLE SIZES MAY VARY ±.005 FRACTIONAL DIMENSIONS INCLUDING HOLE SIZES MAY VARY ±1/64 MACHINED ANGLES MAY VARY ±.1° SHEARED ANGLES MAY VARY ±.25° BROKEN ANGLES MAY VARY ±.1° ECCENTRICITY BETWEEN ANY DIAMETERS ON THE SAME CENTERLINE SHALL NOT EXCEED .010 TOTAL INDICATOR READING. ALL DIMENSIONS ARE FINISH DIMENSIONS INCLUDING APPLIED FINISH AND ARE GIVEN IN INCHES.</p>	<p>COLLINS RADIO CO. 1424 - PH 51-93</p> <p>SIGNAL CORPS</p> <p>REVIEWED: PME</p> <p>APPROVED: HLY PME</p> <p>DATE: 6 MARCH 58</p> <p>SCALE: 1/1</p>	<p>DEPARTMENT OF THE ARMY SIGNAL CORPS ENGINEERING LABORATORIES</p> <p>FORT MONMOUTH NEW JERSEY</p> <p>SM-C-248962</p>
<p>APPLICATION: SM-D-343600</p> <p>COLLINS NO. 674 NEXT ASSY USED ON</p>		